

MICROWAVE SENSOR

MW-100AL/AH : Outdoor 330ft. (100m) **FC**



Application

The TAKEX microwave sensor is especially designed for outdoor protection. K band microwave sensor achieves high stability in severe weather conditions.

HIGH RELIABILITY

24 GHz band of microwave sensor reduces false alarms caused by severe weather conditions such as heavy fog, snowfall or rain.

TWO FREQUENCIES (H) and (L) SELECTABLE

Two models are available with different frequencies, MW-100AH and MW-100AL.

ADJUSTMENT MODE SWITCH

With adjustment mode switch, monitor output voltage (beam reception level) can be checked speedily.

LED INDICATION

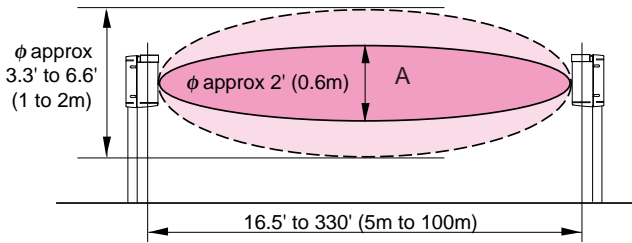
- Transmitter : Green LED ON when transmitting a signal
- Receiver : Red LED ON at alarm

OTHER FEATURES

- Automatic Gain Control circuit
- Response time adjustment
- Antenna directional adjustment (horizontally $\pm 90^\circ$, vertically $\pm 10^\circ$)
- Monitor jack output
- Pole or wall mount

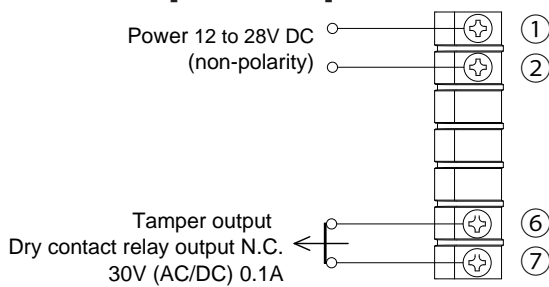
MICROWAVE SENSOR

■ COVERAGE

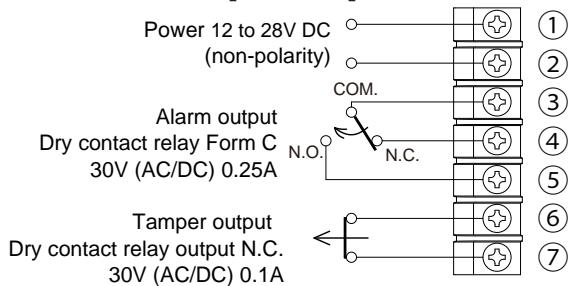


■ TERMINAL ARRANGEMENT

[Transmitter]



[Receiver]

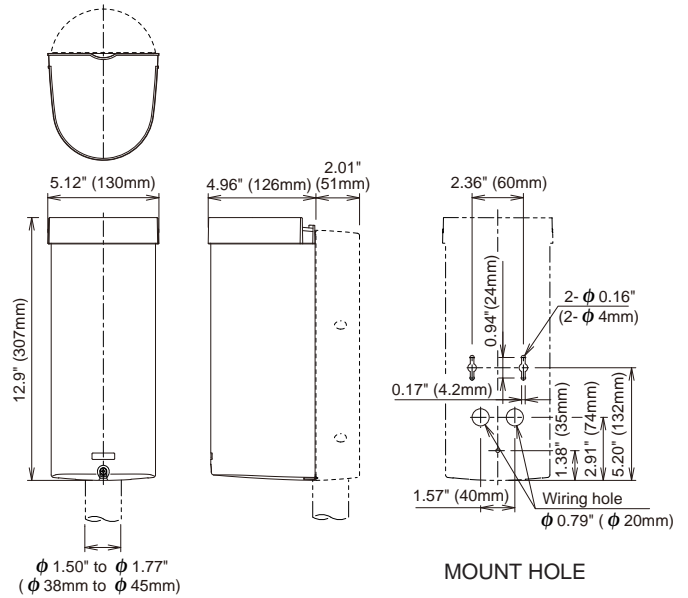


■ OPTIONAL

Pole cover
(BP-100MW)



■ EXTERNAL DIMENSIONS [Unit : inch (mm)]



■ SPECIFICATIONS

Type	Microwave sensor	
Model	MW-100AL	MW-100AH
Protection distance	16.5ft. (5m) to 330ft. (100m)	
Max. arrival distance	Approx. 660ft. (200m)	
Microwave	24.12GHz	24.17GHz
Detection system	Microwave	
Response time	0.04sec. to 0.3sec. (Variable using POT)	
Alarm signal	Dry contact relay output 1C N.O. / N.C. COM. Contact action : Interruption time output Contact capacity : 30V (AC/DC) 0.25A or less	
Supply voltage	12 to 28V DC	
Power consumption	100mA • Transmitter : 40mA • Receiver : 60mA	
Tamper signal	Dry contact output N.C. Contact capacity : 30V (AC/DC) 0.1A	
Alarm LED (Receiver)	Red LED Lighting at alarm	
Transmission LED (Transmitter)	Green LED Lighting at signal transmission	
Functions	Monitor output, Adjustment mode switch	
Weight	Transmitter 36.8oz (1,050g) Receiver 38.5oz (1,100g)	
Appearance	Resin (Wine red)	

※The specifications are subject to change without notice.

● FCC CERTIFIED
FCC ID : T05MW50L100AL
T05MW50H100AH

Please Note : This sensor is designed to detect intrusion and to initiate an alarm; it is not a burglary or a device. TAKEX is not responsible for damage, injury or loss caused by accident, theft, Acts of God (including inductive lightning surges), abuse, misuse, abnormal usage, faulty installation or improper maintenance.

TAKEX

In Japan

Takenaka Engineering Co., Ltd.
83-1, Gojo-sotokan, Higashino,
Yamashina-ku, Kyoto 607-8156, Japan
Tel : 81-75-501-6651
Fax : 81-75-593-3816
<http://www.takex-eng.co.jp/>

In the U.S.

Takex America Inc.
151, San Zeno WAY
Sunnyvale, CA 94086, USA
Tel : 408-747-0100
Fax : 408-734-1100
<http://www.takex.com>

In Australia

Takex America Inc.
4/15 Howleys Road, Notting Hill,
VIC, 3168
Tel : +61 (03) 9544-2477
Fax : +61 (03) 9543-2342

In the U.K.

Takex Europe Ltd.
Aviary Court, Wade Road,
Basingstoke, Hampshire. RG24 8PE, U.K.
Tel : (+44) 01256-475555
Fax : (+44) 01256-466268
<http://www.takex.com>