

# PRE-WIRED BEAM TOWERS

	2 Beams	3 Beams
Single-sided (180°)	TAS-2PW	TAS-2PW3
Double-sided (360°)	TAD-2PW	TAD-2PW3

## FEATURES

- Available in 2m height
- Pre-wired and ready to install
- Reduced time on site
- Includes heaters, thermostat & tamper switch
- Compatible with KH series Beams

**2M SINGLE OR DOUBLE-SIDED BEAM TOWERS PRE-WIRED AND INSTALLED WITH HEATERS, THERMOSTAT, TAMPER SWITCH & MOUNTING BRACKETS FOR 2 OR 3 BEAM UNITS PER SIDE.**

Simply mount your chosen KH series beams and align to create robust perimeter intruder systems with ease, reducing installation time and labour costs on site.



### INCLUDED

### REQUIRED

### OPTIONAL



ACCESSORY

#### HEATERS

For uninterrupted operation throughout the winter months.



ACCESSORY

#### MOTHERBOARD

With wiring terminals, function switches and thermostat.



ACCESSORY

#### TAMPER

Tamper switch to signal the removal of the Tower top.



QUAD BEAMS

#### PB-HFA-KH

Our market-leading HFA series optimised for Beam Towers.



ACCESSORY

#### TAPS

Anti-Climb Tamper Switch for high security applications.



ACCESSORY

#### TAFB

First-fix Floor Bracket provides anchor points for mounting.



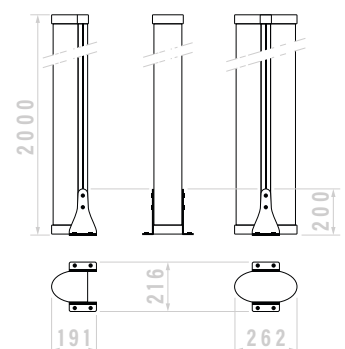
ACCESSORY

#### TAPSU-2A

12VDC 2A In-Tower PSU (UK & Europe only).

## SPECIFICATIONS

Model	TAS-2PW	TAS-2PW3	TAD-2PW	TAD-2PW3
Tower height	2m			
Field of view	180°		360°	
Supply voltage	12VDC			
Tamper output	Real time output (N.C.) · when the lid is removed from the tower			
Current consumption	1,020mA	1,530mA	2,040mA	3,060mA



### TAKEX EUROPE LTD.

Europe, Middle East, and Africa  
Aviary Court, Wade Road  
Basingstoke, Hampshire RG24 8PE  
United Kingdom

tel : +44 (0) 1256 475555  
fax : +44 (0) 1256 466268

[www.takex.com/uk](http://www.takex.com/uk)