

Reliably detects double sheet or heated seal of plastic bags



■ Application



- Embedded amplifier with analog output
- M18 threaded screw housing
- Not affected by color or surface finish of the detecting object
- Fast response time

SPECIFICATIONS

Model	US-T04AN
Detection method	Through
Detection distance	20 to 60mm (optimum distance: 40mm)
Operational power	24VDC±10%, Ripple 10% or less
Power consumption	39mA or less
Response time	3ms or less
Output mode	Analog output: 1 to 4V
Operation mode	Output proportional to received ultrasonic intensity
Ultrasonic frequency	380kHz±15kHz
Indicator	Transmitter: Power indicator (Green) Receiver: Power/Teaching error indicator (Blue)
Operation method	Teaching type
Auxiliary functions	Protection against reverse power connection
Material	Case: SUS303, Detection surface: glass epoxy, polyurethane form, ABS
Connection method	Attached cable: 3.5mm O.D. Transmitter: 0.15mm ² ×3 cores, 2m, Receiver: 0.15mm ² ×4 cores, 2m
Weight	Approx. 130g (including cable)
Accessories	Instruction Manual, Resin nut: 4 pcs (*1)

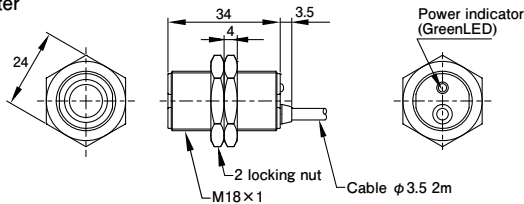
*1: SUS nut (optional): Model: US-N2

ENVIRONMENTAL SPECIFICATION

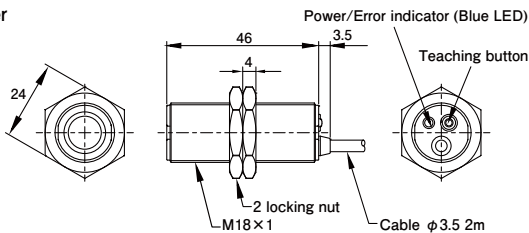
Ambient temperature	-10 to +55°C (no freezing)
Ambient humidity	35 to 85%RH (no condensation)
Protective structure	I P65
Vibration	10 to 55Hz/1.5mm double amplitude/2 hours each in 3 directions (X,Y,Z)
Shock	300m/s ² , 3 directions (X,Y,Z) for each three times
Dielectric withstanding	500VAC, one minute
Insulation resistance	500V megger, 20MΩ or more

DIMENSIONS (unit : mm)

Transmitter



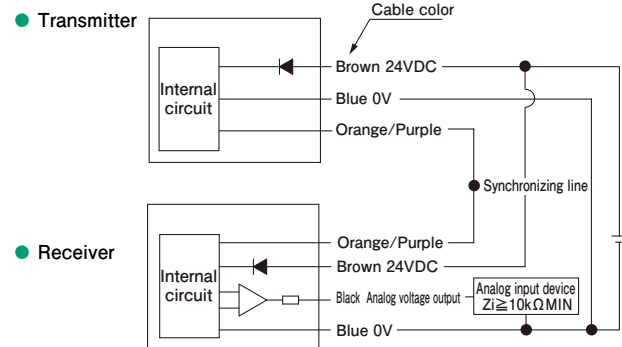
Receiver



Full scale



CONNECTION



The sensors are supplied in coordinated pairs of an ultrasonic transmitter and a receiver each of which has a matching serial No.

Optional part

Tightening nut (SUS, 2 pcs/set): US-N2

※ A set (2 nuts) is required for each transmitter and receiver.



- This product is designed for industrial applications to detect a various kinds of objects. It has no function to prevent disasters, accidents, death or injuries.
- TAKEX will not held responsible for any damage or loss incurred due to accidents, faulty installation, abuse, misuse, improper maintenance or acts of God including lightning surge.
- This product cannot be used as safety equipment.
- This product is designed and manufactured for industrial use. It cannot be used where there is a requirement for a high degree of reliability or considerable care or attention to safety.
- Read this instruction manual carefully and use the product properly according to it.
- This instruction manual including the specifications and dimensions may be subject to change without notice.



Takenaka Sensor Group

TAKENAKA ELECTRONIC INDUSTRIAL CO.,LTD.

5-22 Higashino Kitainoue-cho, Yamashina-ku, Kyoto 607-8141 Japan

Tel: +81-75-581-7111 Fax: +81-75-581-7118

URL : <http://www.takex-elec.co.jp> email : info-ex@takex-elec.co.jp

Distributed by