

Phase Differential Detection DISTANCE SENSOR DX-S35F/DX-S33C

Phase Differential Detection achieves 3m detection range with high accuracy and reliability. Color or glossy surface of objects are of no concern.



DX-S35F (5 optical axis)
Detection area setting feature



DX-S33C
(3 optical axis)

Features

■ Phase Differential Detection

Calculates the distance to an object by measuring the time that the PE beam takes to travel between the sensor and the object. Regardless of the color, shape or material the sensor maintains complete accuracy even for mirror type objects.

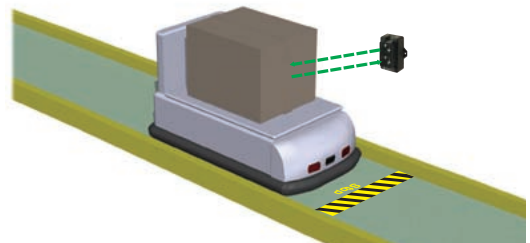
■ Multi-beam Composition

Wide detection area with multi-beam composition (3/5 optical axis) ensures reliable detection even across a curved surface. Unnecessary beam(s) can be disabled. (DX-S35F)

■ 3m Long Detection Range

Accurate, safe and low cost sensor covers long distance by using an LED for light source.

Suitable for detecting various objects or shiny surfaces.



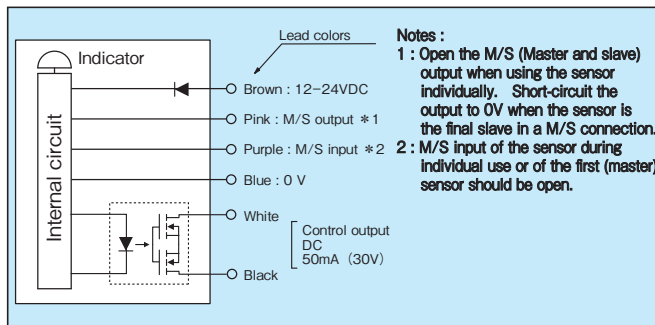
Specifications

Model	DX-S35F	DX-S35F-Y5	DX-S33C	DX-S33C-Y5
Detection method	Reflective / Phase differential detection			
Detecting distance	0.1 – 3 m			
Standard detecting object	300 × 900 white paper			
No. of optical axes	5 (w/ area setting function)	3 (w/o area setting function)		
Power supply	12 – 24VDC ± 10% Ripple 10% max.			
Power consumption	1.7W or less	1.5W or less		
Output mode	PhotoMOS output (short circuit protection) Load current 50mA (30VDC) max. Residual voltage : 2V or less			
Operation mode	Light-ON			
Anti Interference	Provided (when connected to Master/Slave : up to 4 units)			
Response time	ON : 0.1s OFF : 0.3s max.			
Light source (wavelength)	Infrared LED (850nm)			
Indicator	Operation indicator (3-color emitting LED) At Master w/ detection ON : orange LED lit ; detection OFF : blue LED lit At Slave w/ detection ON : orange LED lit ; detection OFF : green LED lit			
Volume (VR)	Distance adjuster (1 to 3m)			
Rotary switch (SW)	Detection area setting switch			
Additional functions	Power reverse connection protection, output short-circuit protection			
Material	Case	Heat-resistant ABS		
	Front cover	Polycarbonate		
Connection	Pull out cord (OD : ϕ 4.8)			
	0.2mm ² , 6 core, 2m (sheath : black)	0.2mm ² , 6 core, 5m (sheath : black)	0.2mm ² , 6 core, 5m (sheath : black)	0.2mm ² , 6 core, 5m (sheath : black)
Weight	Approx. 170 g			
Accessory	Operation manual			

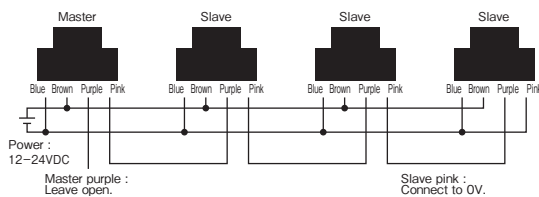
Environmental Specification

Ambient light	20,000 lx max.
Ambient temperature	- 20 – + 55°C (Storage : - 40 – + 70°C) non-freezing
Ambient humidity	35 – 85% RH (non-condensing)
Protective rating	IP40
Vibration resistance	10 – 55Hz / 1.5 amplitude / 2 hours each in 3 directions
Dielectric withstanding	1,000VAC for 1 minute
Insulation resistance	500V mega DC, 20M Ω or higher
Shock resistance	500 m/s ² / 3 times each in 3 directions

Input/Output Circuit Diagrams

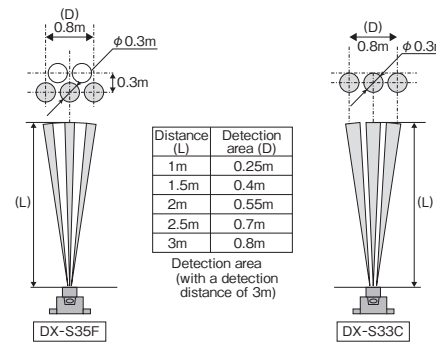


Master - Slave connection to avoid interference



Detection Area

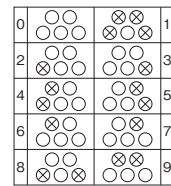
Sensor output turns on when any one of the optical axes detects an object.



Detection Area Settings (DX-S35F)

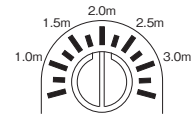
The following 10 detection area settings are possible with the detection area selection.

Note : This function is not available with the DX-S33C.



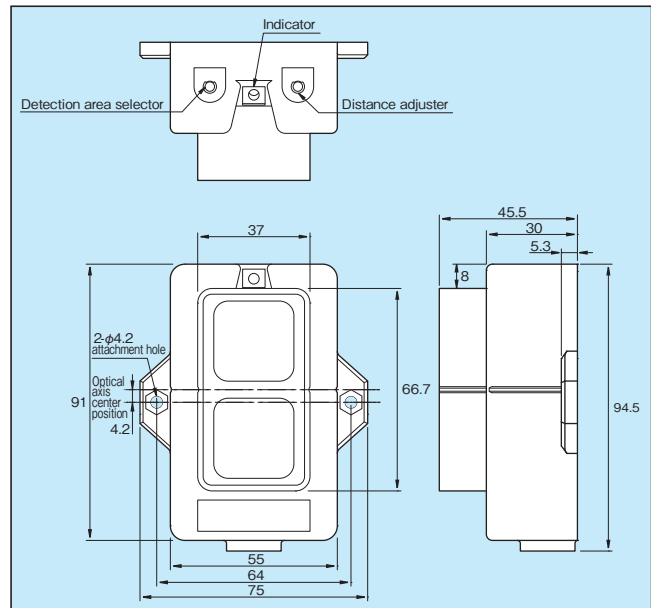
Distance Adjustment

Distance adjustment is illustrated in the diagram below.



Notes : If a background object exists in the sensor's detection area, be sure to adjust the distance to a point at least 0.75m in front of that background. Also, be aware that the distance scale is only a benchmark and does not ensure accuracy.

Dimensions (unit : mm)



- This sensor is designed to detect a specific object. It is not provided with control functions for prevention of injuries or accidents in itself.
- Takex will not held responsible for any damage or loss incurred due to accidents, faulty installation, abuse, misuse, improper maintenance or acts of God including lightning surge.
- Specifications and dimensions may be subject to change without notice.



Takenaka Sensor Group

TAKENAKA ELECTRONIC INDUSTRIAL CO.,LTD.

Headquarters : 20-1 Narano-cho, Shinomiya, Yamashina-ku, Kyoto, Japan

Tel: 81-75-581-7111 Fax: 81-75-581-7118

www.takex-elec.co.jp

info-ex@takex-elec.co.jp

Distributed by