

FLAME PASSIVE SENSOR

FP-5500E



IDEAL COMBINATION SENSOR, DETECTING FLAME [Max.15m (50ft.)] AND INTRUSION [Wide angle 15m(50ft.)] , MINIMIZES NUISANCE ALARM AND REALIZES SAFER OUTDOOR PROTECTION.

TWO OUTPUT MODES SELECTABLE

Two output modes are available; "AND" detection mode and "Individual" detection mode.

- In "AND" detection mode, an alarm signal is output when both flame and passive infrared sensor detect during the selected AND timer.
- In "Individual" detection mode, flame or passive alarm signal is output when either the flame sensor or passive sensor detects.

FORCED OUTPUT OPERATION

The flame sensor outputs flame alarm signal after continued detection for a certain period of time, or detects twice during the selected AND timer even in "AND" detection mode, without any detection by passive sensor.

ALARM MEMORY

The activated sensor can be easily identified by Alarm memory indication (flame and passive sensor individually). Memory LED blinks for 3 min. and lights on for 47 min. after alarm activation.

SENSIVITY ADJUSTMENT (Passive Sensor)

For outdoor operation in "Individual mode", the sensitivity adjustment enables reliable discrimination between human body and other objects depending on the environment. <20 / 50 / 80 / 100%>

[Recommended setting]

AND mode : 100%.

Individual mode : 20%, 50%, 100%.

OPERATION SET-UP BY DETECTION TIMER (Flame Sensor)

The alarm will be activated only when the sensor detects a flame (ultraviolet rays) for longer than set time.

Four detection times are selectable by DIP switch on the sensor. < 1 / 3 / 6 / 15sec.>

[Recommended setting]

AND mode : 1sec.

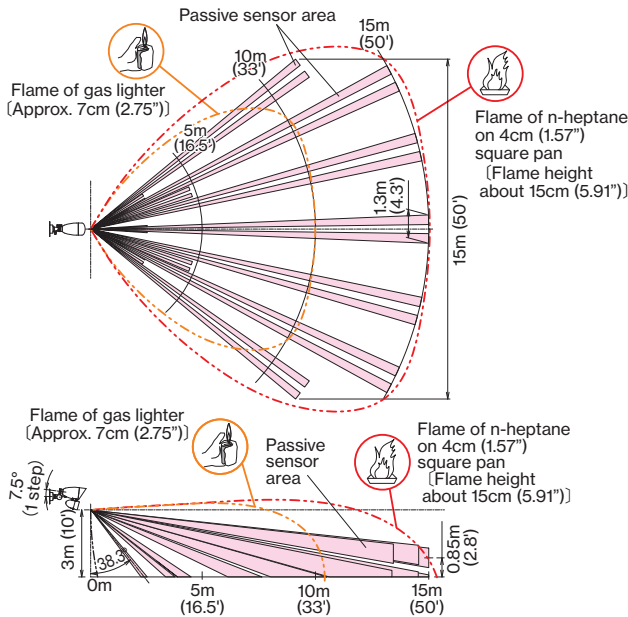
Individual mode : 3sec. 6sec. 15sec.

ANGLE ADJUSTMENT

Three-part rotation mechanism enables adjustment in various angles.

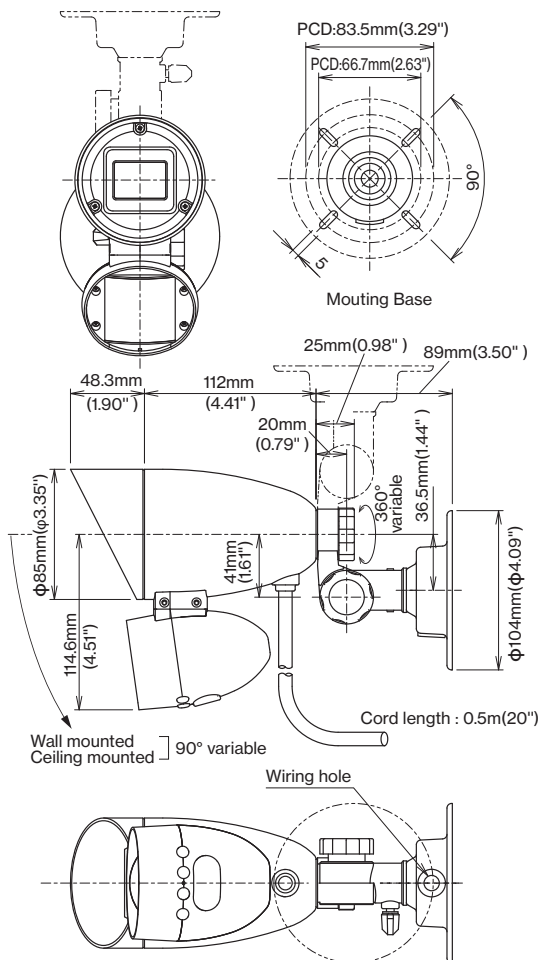
FLAME PASSIVE SENSOR

DETECTION AREA

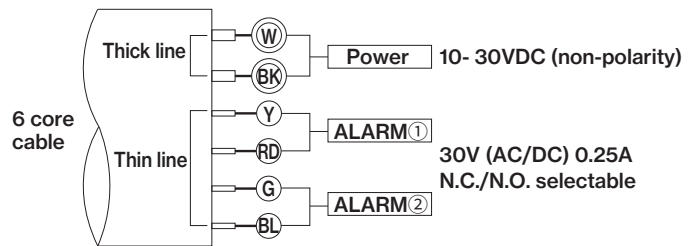


EXTERNAL DIMENSIONS

[Unit : mm (inch)]



TERMINAL CONFIGURATION



SPECIFICATIONS

Product name	FLAME PASSIVE SENSOR
Model	FP-5500E
Detection system	Ultraviolet rays (Detection wave length 185 to 260nm)
Detection distance	15m(50') : 15cm(5.90") flame on 4cm (1.57") square pan in front 10m(33') : 7cm(2.75") lighter flame in front
Detection area angle	Approx. 120° conically
Detection setting	Detection timer : 4steps (1sec, 3sec, 6sec, 15sec) Detection sensitivity : (H [100%], L [50%]) *Selectable only in "AND" mode (Fixed to H [100%] in "AND" mode)
Alarm LED (RED)	Inside front window • Lighting at alarm (Detection time + off delay. Approx. 2 sec.) *Blinking (3 min) / Lighting (47 min) at memory
Detection system	Passive infrared
Detection area angle	Wide Angle 15m (50') Max
Sensitivity setting	4 steps (100%, 80%, 50%, 20%)
Alarm LED (RED)	Inside front window • Lighting at alarm (Detection time + off delay. Approx. 2 sec.) *Blinking (3 min) / Lighting (47 min) at memory
Power supply	10V to 30VDC (non-polarity)
Power consumption	25mA Max.
Contact operation	[AND mode] • When flame sensor detects twice within set "AND" timer, (Detection time after 2nd detection + off delay. Approx. 2 sec.) or • When flame sensor detects for "Flame duration time" (Detection time after 30/60 sec + off delay. Approx. 2 sec.) [Individual mode] • When flame sensor detects (Detection time + off delay. Approx. 2 sec.)
Contact method	Dry contact relay (Semi-Conductor) (N.C. / N.O. selectable)
Contact capacity	30V (AC/DC) 0.25A Max. (resistive load)
Contact operation	[AND mode] • When both flame and passive sensor detect within set "AND" timer (Detection time 2 sec Min.) [Individual mode] • When passive sensor detects (One shot. Approx. 2 sec)
Contact method	Dry contact relay (Semi-Conductor) (N.C./N.O. selectable)
Contact capacity	30V (AC/DC) 0.25A Max. (resistive load)
Alarm memory	Reset after blinking (3 min) and lighting (47 min) (Operative individually with flame and passive sensors) * No indication when Alarm LED is off
Ambient temperature range	-20°C to + 50°C (-4°F to + 122°F) without condensation and freeze
Mounting position	Indoor / outdoor (IP43)
Connections	Lead wire [Cord length : 0.5m (20')][6 cores : 2×power, 4×alarm]
Weight	Approx. 550g (including range)
Appearance	Body : Resin (Black)

* The specifications are subject to change without notice.

MAINTENANCE

- Check the operation once a week
- Do not fail to check operation whenever a furniture in the place is moved in and out of detection area.

When housing is stained, remove the stain with a soft cloth using water or mild detergent. Do not use such chemicals as thinner or benzene to clean the housing.

TAKEX

Please note :

This sensor is designed to detect intrusion and to initiate an alarm; it is not a burglary or a crime preventing device. TAKEX is not responsible for damage, injury or losses caused by accident, theft, Acts of God (including inductive surge by lightning), abuse, misuse, abnormal usage, faulty installation or improper maintenance.

In Japan

Takenaka Engineering Co., Ltd.
83-1, Gojo-Dori, Sotokan Nishi-iru, Higashino,
Yamashina-ku, Kyoto 607-8156, Japan
Tel : 81-75-501-6651

<https://www.take-ex.co.jp/>

In the U.S.

Takex America Inc.
1810 Oakland Rd, Suite F,
San Jose, CA 95131, USA
TEL : 408-747-0100
FAX : 408-734-1100

<https://www.take-ex.com>

In Australia

Takex Australia Inc.
4/15 Howleys Road, Notting Hill,
VIC, 3168
Tel : +61 (03) 9544-2477
Fax : +61 (03) 9543-2342

<https://www.take-ex.com>

In the U.K.

Takex Europe Ltd.
Aviary Court, Wade Road,
Basingstoke, Hampshire. RG24 8PE, U.K.
Tel : (+44) 01256-475555
Fax : (+44) 01256-466268

<https://www.take-ex.com>