

PHOTOELECTRIC BEAM SENSOR

PR-1B Indoor 1m (3.3')

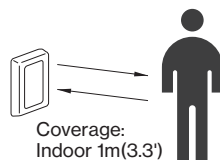


NOT ONLY MOVING OBJECTS BUT ALSO MOTIONLESS OBJECTS CAN BE DETECTED

Photoelectric beam sensor PR-1B incorporates near infrared direct reflective detection system and is designed to detect a moving or motionless human size object

DIRECT REFLECTION SYSTEM WITHOUT REFLECTOR

Direct reflection system eliminates reflector unit that is necessary for current reflection type beam sensor.



CONVENIENT SENSITIVITY ADJUSTMENT

Sensitivity is adjustable to fit various installation sites. (Sensitivity is set at factory so that the sensor can detect human body 1m away.)

WIDE APPLICATION

PR-1B is usable in various applications where the detection of motionless objects is required.

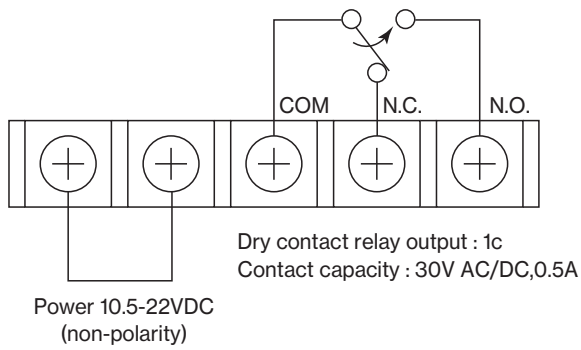
EASY INSTALLATION

Both a transmitter and a receiver are incorporated in one unit. This reduces installation time

- * Slim and compact (23.5mm thickness of unit)
- * Terminal wiring
- * Flush mount is possible with optional attachment BP-5B/BP-50
- * Application further expands with optional L fitting BL-5.

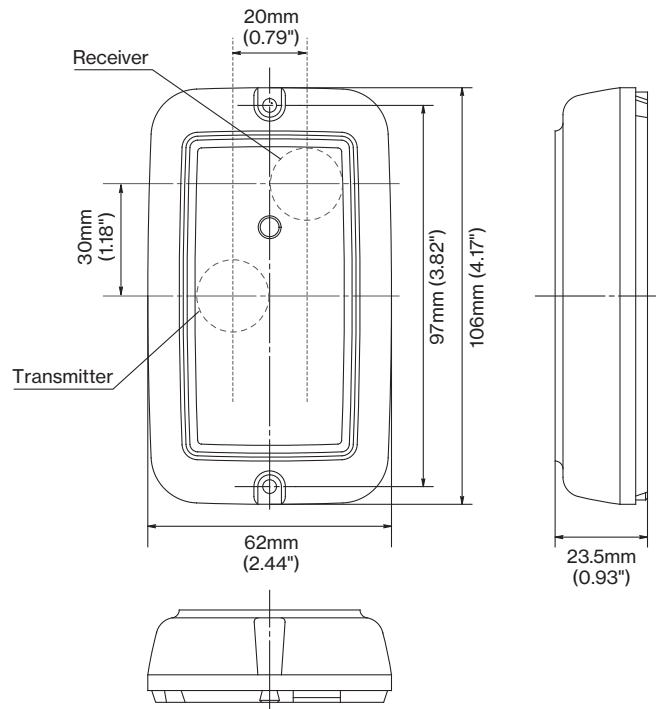
PHOTOELECTRIC BEAM SENSOR

■ TERMINAL ARRANGEMENT



■ EXTERNAL DIMENSIONS

[Unit : mm (inch)]



■ OPTIONAL



- Flush mount attachment
BP-5B
(For simple flush mount, Metallic)



- Flush mount attachment
BP-5D
(For 3 outlet box, Metallic)



- L fitting
BL-5

■ SPECIFICATIONS

Product name	PHOTOELECTRIC BEAM SENSOR
Model	PR-1B
Detection system	Near infrared (Direct reflective detection of motionless objects)
Protection distance	1m (3.3') or less
Response	100msec. or more
Alarm output	Dry contact relay output : 1 c Contact activation: detection time+off delay (approx. 0.5sec.) Contact capacity: 30V AC/DC, 0.5A or less
Supply voltage	10.5V to 22V DC (non-polarity)
Current consumption	60mA or less (at 12VDC)
Ambient temperature range	-20° to +50° (-4°F to +122°F)
Mounting position	Indoor
Weight	Approx. 75g (2.6oz)
Appearance	Resin (off-white)

Note: The detector will not detect the following;

- 1) Extremely high reflective objects such as lustrous surfaced objects similar to mirror surface
- 2) Extremely low reflective objects
(ex.) Black wool overcoat, Muffler, Leather goods

Please note : This sensor is designed to detect intrusion and to initiate an alarm; it is not a burglary or a crime preventing device. TAKEX is not responsible for damage, injury or losses caused by accident, theft, Acts of God (including inductive surge by lightning), abuse, misuse, abnormal usage, faulty installation or improper maintenance.

TAKEX

In Japan

Takenaka Engineering Co., Ltd.
83-1, Gojo-Dori, Sotokan Nishi-iru, Higashino,
Yamashina-ku, Kyoto 607-8156, Japan
Tel : 81-75-501-6651

<https://www.takex-eng.co.jp/>

In the U.S.

Takex America Inc.
1810 Oakland Rd, Suite F,
San Jose, CA 95131, USA
TEL : 408-747-0100
FAX : 408-734-1100

<https://www.takex.com>

In Australia

Takex America Inc.
4/15 Howleys Road, NottingHill,
VIC,3168
Tel : +61 (03) 9544-2477
Fax : +61 (03) 9543-2342

<https://www.takex.com>

In the U.K.

Takex Europe Ltd.
Aviary Court, Wade Road,
Basingstoke, Hampshire. RG24 8PE, U.K.
Tel : (+44) 01256-475555
Fax : (+44) 01256-466268

<https://www.takex.com>