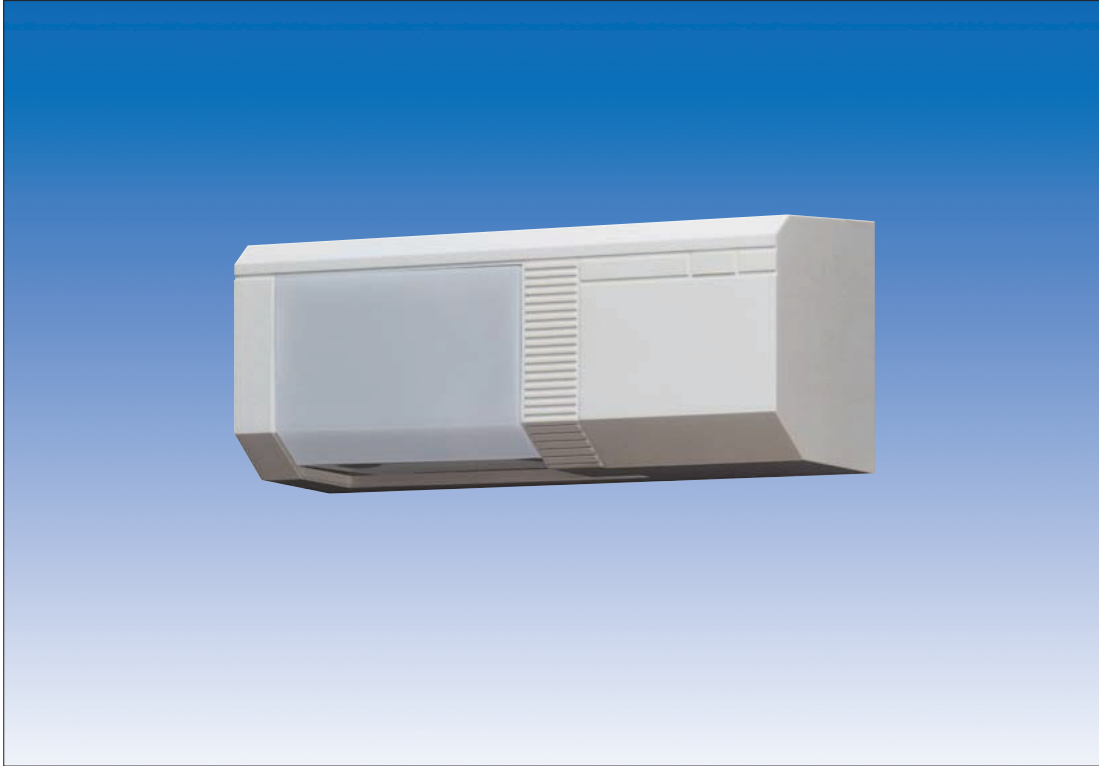


# PASSIVE INFRARED SENSOR

PS-520E(W)



## Request-to-Exit Sensor

Designed for applications involving coverage at the threshold of a doorway, the TAKEX Passive Infrared Sensor detects the differential between a human body and the floor. It features several field selectable options and adjustments to make it the ideal choice for access control applications, door strike release, alarm system shunting and automatic door operation.

### TOTALLY STABLE, TOTALLY RELIABLE

Dual pyroelectric for increased stability against external light. Special circuitry provides high immunity to RFI and other electrical noise.

### ADJUSTABLE COVERAGE AREA

Adjust from straight downward 'blanket' covering the door to angles of 35° in front of door.

### ADJUSTABLE SENSITIVITY

Increase or decrease to suit your site needs.

### SINGLE OR DOUBLE DOOR COVERAGE

The two position mirror provides coverage of single and double doors.

### OVERHEAD OR WALL MOUNT

### ADJUSTABLE RELAY TIMER

0.25 to 60 second adjustment for relay hold time.

### TWO RELAY OUTPUTS

Both normally open/normally closed.

### HEAVY DUTY RELAY OUTPUT

Relays drive up to 1 amp of current for controlling door strikes and magnetic locks.

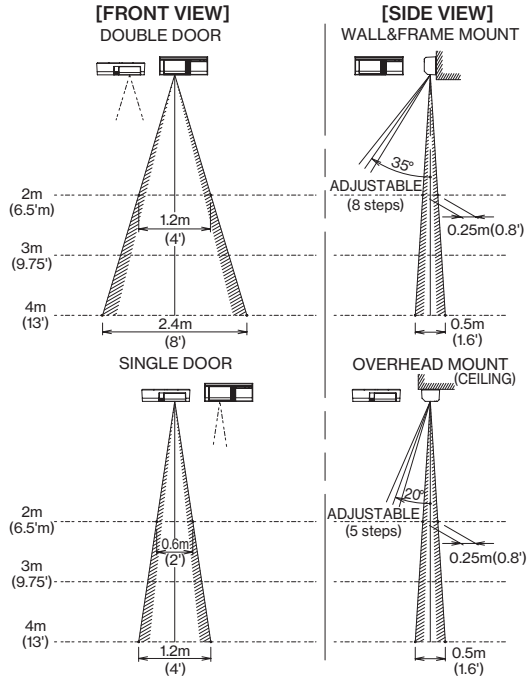
### FAIL SAFE - FAIL SECURE

Selectable by DIP Switch.

# PASSIVE INFRARED SENSOR

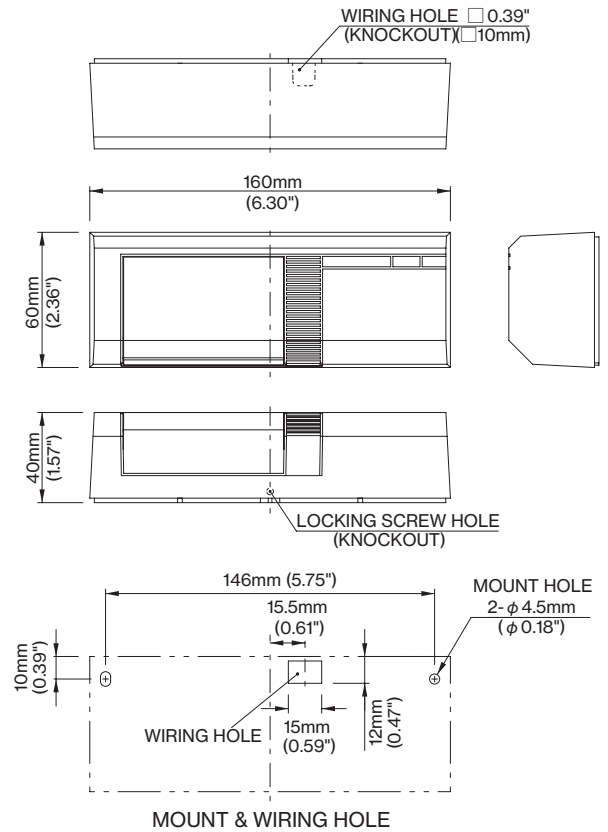
## DETECTION AREA

The PS-520E detects the temperature differential between a human body and the floor. The unit can be precisely set for the detection area desired.



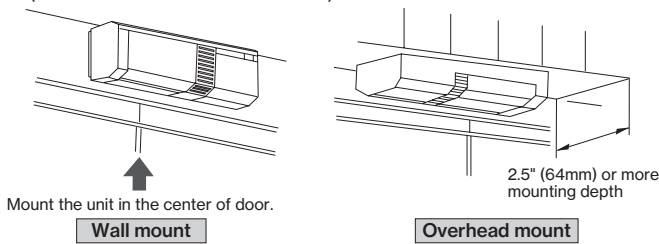
## EXTERNAL DIMENSIONS

[Unit : mm (inch)]



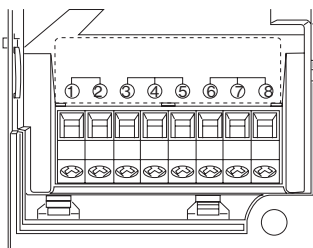
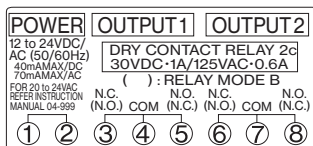
## INSTALLATION

Select the mounting location and position of sensor (wall mount or overhead mount).



## TERMINAL CONFIGURATION

### [ TERMINAL ARRANGEMENT ]



## SPECIFICATIONS

Product name		PASSIVE INFRARED SENSOR	
Model		PS-520E(W)	
Detection system		Passive infrared	
Detection area	Mounting height	4m(13') Max	
	Pattern	Single (Door) or Double (Door) ] Selectable	
	Adjustment range	Wall mount : Vertically 35° (8 steps) Overhead mount : Vertically 20° (5 steps)	
	Sensitivity	Adjustable	
Power supply		12 to 24VDC (Non polarity) or 12 to 24VAC (50Hz / 60Hz) (When operated at AC20 to 24V, connect attached resistor.)	
Power consumption		40mA or less / DC 70mA or less / AC	
Output		Dry contact relay 2C Operation : One shot Hold time: Adjustable approx. 0.25sec. to 60sec. Contact capacity : 30V (DC) 1A or less / 125V (AC) 0.6A or less *Selectable relay operation	
LED		Green Operation : synchronous dry contact relay (LED disabled)	
Wiring connection		Terminals	
Ambient temp range		+14°F to +122°F (-10°C to +50°C) without condensation	
Mounting position		Wall, ceiling, on or under frame (indoor)	
Weight		5.95 oz (170g)	
Appearance	Cover (ABS resin)	White	
	WINDOW (PE resin)	White	
Accessories		•Tapping screw : 2 pcs. •Resistor(82Ω, 3W) : 1 piece (connect when operated at AC20 to 24V) •Cover locking screw : 1 piece	

\* The specifications are subject to change without notice.

Please note : This sensor is designed to detect intrusion and to initiate an alarm; it is not a burglary or a crime preventing device. TAKEX is not responsible for damage, injury or losses caused by accident, theft, Acts of God (including inductive surge by lightning), abuse, misuse, abnormal usage, faulty installation or improper maintenance.

# TAKEX

### In Japan

Takenaka Engineering Co., Ltd.  
 83-1, Gojo-Dori, Sotokan Nishi-iru, Higashino,  
 Yamashina-ku, Kyoto 607-8156, Japan  
 Tel : 81-75-501-6651

<https://www.takex-eng.co.jp/>

### In the U.S.

Takex America Inc.  
 1810 Oakland Rd, Suite F,  
 San Jose, CA 95131, USA  
 TEL : 408-747-0100  
 FAX : 408-734-1100

<https://www.takex.com>

### In Australia

Takex America Inc.  
 4/15 Howleys Road, NottingHill,  
 VIC,3168  
 Tel : +61 (03) 9544-2477  
 Fax : +61 (03) 9543-2342

<https://www.takex.com>

### In the U.K.

Takex Europe Ltd.  
 Aviary Court, Wade Road,  
 Basingstoke, Hampshire. RG24 8PE, U.K.  
 Tel : (+44) 01256-475555  
 Fax : (+44) 01256-466268

<https://www.takex.com>