

TAKEX

SECURITY

PRE-WIRED BEAM TOWERS

TAS-2PW (180°)

TAD-2PW (360°)

FEATURES

- Available in 2m height
- Pre-wired and ready to install
- Reduced time on site
- Includes heaters, thermostat & tamper switch
- Compatible with KH series Beams (2 per side)

2M SINGLE OR DOUBLE-SIDED BEAM TOWERS PRE-WIRED AND INSTALLED WITH HEATERS, THERMOSTAT, TAMPER SWITCH & MOUNTING BRACKETS FOR UP TO TWO BEAM UNITS PER SIDE.

Simply mount your chosen KH series beams and align to create robust perimeter intruder systems with ease, reducing installation time and labour costs on site.



INCLUDED

REQUIRED

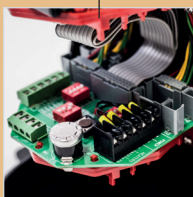
OPTIONAL



ACCESSORY

HEATERS

For uninterrupted operation throughout the winter months.



ACCESSORY

MOTHERBOARD

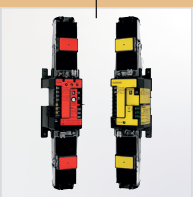
With wiring terminals, function switches and thermostat.



ACCESSORY

TAMPER

Tamper switch to signal the removal of the Tower top.



QUAD BEAMS

PB-HFA-KH

Our market-leading HFA series optimised for Beam Towers.



ACCESSORY

TAPS

Anti-Climb Tamper Switch for high security applications.



ACCESSORY

TAFB

First-fix Floor Bracket provides anchor points for mounting.



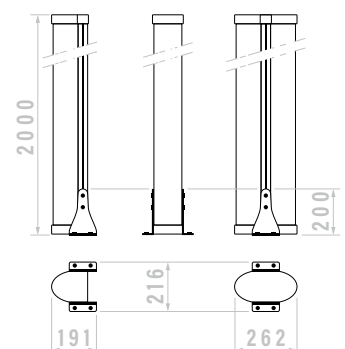
ACCESSORY

TAPSU-2A

12VDC 2A In-Tower PSU (UK & Europe only).

SPECIFICATIONS

Model	TAS-2PW	TAD-2PW
Tower height	2m	
Field of view	180°	360°
Supply voltage	12VDC	
Tamper output	Real time output (N.C.) · when the lid is removed from the tower	
Current consumption	1,020mA	2,040mA



TAKEX EUROPE LTD.

Europe, Middle East, and Africa
Aviary Court, Wade Road
Basingstoke, Hampshire RG24 8PE
United Kingdom

tel : +44 (0) 1256 475555

fax : +44 (0) 1256 466268

www.takex.com/uk