










- Relay output available with commercial power supply

- Sturdy die-cast case

- All models provided with operation indicator (diffuse reflective model GM05 also with sensitivity adjustment)
- Simplified wiring only to one unit (reflective type)

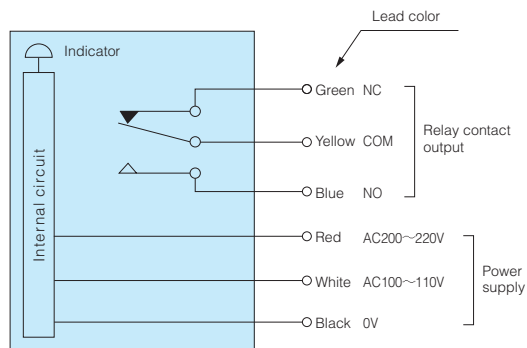
Type

Type	Detecting distance	Model	Operation mode	Output mode	Remark
 Through beam	 30m	GM30	Dark ON	Relay output 1c	(reflector optional)
	 10m	GM10			
 Retroreflective	 0.2-5m (K-6 reflector available separately)	GM5			
 Diffuse reflective	 500mm	GM05	Light ON		

Optional Parts

Type	Model	Applicable model	Description
Reflector	K-6	GM5	Detecting distance: 0.2~5m

Input/Output Circuit and Connection



- Model GM30**
- The COM and NO contacts are closed when light is blocked.
- Model GM10**
- The COM and NC contacts are closed when light is received.
 - Cut off any unused cable to prevent unwanted contact.

- Model GM5**
- The COM and NO contacts are closed when light is blocked.
 - The COM and NC contacts are closed when light is received.

- Model GM05**
- The COM and NO contacts are closed when light is received.
 - The COM and NC contacts are closed when light is blocked.
 - Cut off any unused cable to prevent unwanted contact.

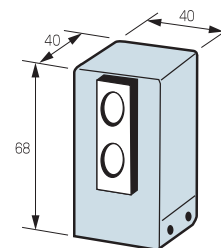
Rating/Performance/Specification

Model	GM30	GM10	GM5	GM05
Detection method	Through beam		Retroreflective	Diffuse reflective
Detecting distance	30m	10m	0.2-5m (With K-6 reflector)	500mm (200 x 200 mm white drawing paper)
Detection object	Opaque ϕ 24 mm min		—	—
Power supply	AC 100V, 110V / 200V, 220V \pm 10% 50/60Hz			
Power consumption	Transmitter: 1.2 VA or less / Receiver: 1 VA or less		1.1 VA or less	1.8 VA or less
Output mode	Relay output 1c / Rating: 2 A (250 VAC) or less resistance load			
Operation mode	Dark ON			Light ON
Response time	25ms or less			
Ambient light	13,000 lx or less	13,000 lx or less	20,000 lx or less	50,000 lx or less
Light source (wavelength)	Infrared LED			
Indicator	Transmitter: power indicator (red LED) Receiver: operation indicator (red LED)		Operation indicator (red LED)	
Volume (VR)	—			Sensitivity adjustment provided (at receiver)
Material	Case: Zinc die-cast			
	Lens: Glass			
Connection	Attached cable (Outer dimension: dia.6mm) Transmitter: 0.5 mm ² x 3cores, 1 m, Receiver: 0.3 mm ² x 6cores, 1 m,		Attached cable (Outer dimension: dia.6mm) 0.3 mm ² x 6 cores, 1 m,	
Weight	Transmitter: Approx.390 g / Receiver: Approx.390 g		Approx.420g	
Notes	Transmitter model: GM30 (L)	Transmitter model: GM10 (L)	With K-6 reflector	
	Receiver model: GM30 (R)	Receiver model: GM10 (R)		
	Power indicator visible obliquely downward from above			
Accessory	Operation manual, Mounting bracket			

The detecting distance and detection object of retroreflective types varies, depending on reflector types combined with the sensor. The detecting distance is the range which you can set for the reflector. The sensor can detect an object even in extremely short range.

Environmental Specification

Ambient temperature	-10 - +50 °C (non-freezing)
Ambient humidity	35-85%RH (non-condensing)
Protective structure	IP54
Vibration	10-55 Hz / 1.5 mm double amplitude / 2 hours each in 3 directions
Dielectric withstanding	1,500 VAC for 1 minute
Insulation resistance	500 VDC, 20 M Ω or higher

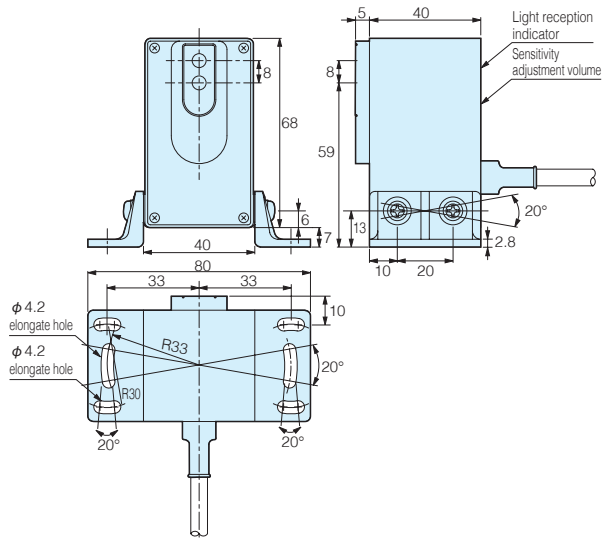


Dimensions (in mm)

GM05 Mounting bracket (accessory) attached

CAD

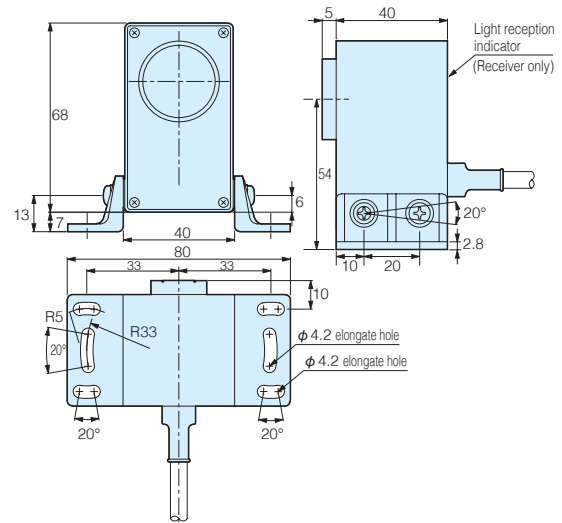
- Accessories
Screw: 4
- Materials Resin



GM10 Mounting bracket (accessory) attached

CAD

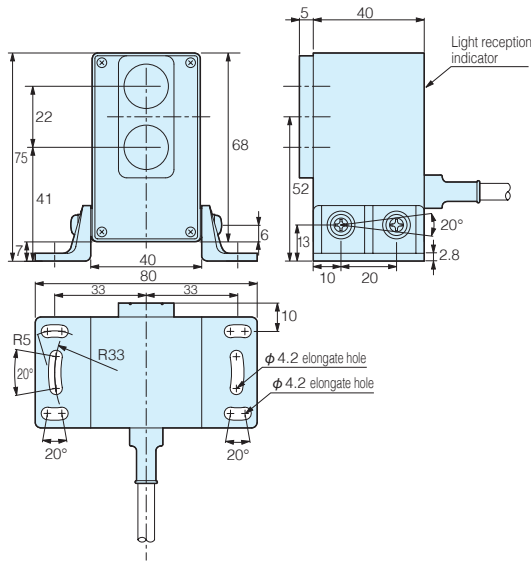
- Accessories
Screw: 4
- Materials Resin



GM5 Mounting bracket (accessory) attached

CAD

- Accessories
Screw: 4
- Materials Resin



Reflector(K-6)

CAD

- Materials
Mirror: acrylic
Base: heat resistant ABS

